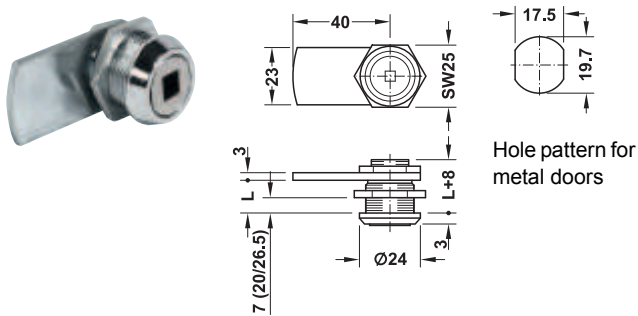


Cam lock

Nut attachment, with straight cam



Hole pattern for metal doors

- Area of application: For wooden and metal furniture
- Material: Zinc alloy
- Finish: Chrome plated polished
- Closure travel: 180° (can be altered)
- Locking system: With square key hole 6 mm
- Installation: For screw fixing with hexagon nut (hole pattern 19.7 x 17.5 mm)

Supplied with

- 1 Cam lock
- 1 Cam
- 2 Hexagon nuts

Thread length L mm	For door thickness mm	Cat. No.
13	max. 7	235.76.203
26	max. 20	235.77.200
32.5	max. 26.5	235.78.207

Packing: 1 or 10 pieces

→ **Square socket key**



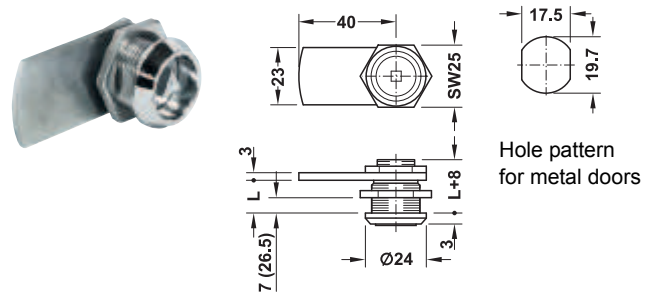
- Material: Cast iron
- Finish: Nickel plated

	Cat. No.
Square socket key	235.76.909

Packing: 1 piece

Cam lock

Nut attachment, with straight cam



Hole pattern for metal doors

- Area of application: For wooden and metal furniture
- Material: Zinc alloy
- Finish: Chrome plated polished
- Closure travel: 90° (can be altered)
- Locking system: With triangular pin
- Installation: For screw fixing with hexagon nut (hole pattern 19.7 x 17.5 mm)

Supplied with

- 1 Cam lock
- 1 Cam
- 2 Hexagon nuts

Thread length L mm	For door thickness mm	Cat. No.
13	max. 7	235.79.213
32.5	max. 26.5	235.81.213

Packing: 1 or 10 pieces

→ **Triangular socket key**



- Material: Cast iron
- Finish: Nickel plated

	Cat. No.
Triangular socket key	235.79.900

Packing: 1 piece

- Furniture lock accessories ► FF 5.142
- Information on cam locks ► FF 5.83

DGH-M-INT 2013, HDE-en, 01/13; Dimensional data not binding. We reserve the right to alter specifications without notice.

